

LED DOME LIGHTS



right attitude/right approach/right alongside
www.goodrich.com



LED DOME LIGHTS

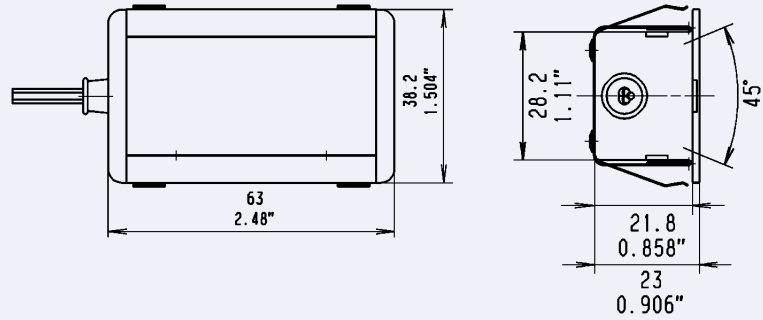


2LA 455 115-10

Technical Data:

- Operating voltage: 28 V DC
- Operating current: 0.045 A
- Nominal life: 10,000 h
- Light intensity: 15 cd min.
- Mass: 0.080 kg (0.176 lbs) max.

- Clip mounting

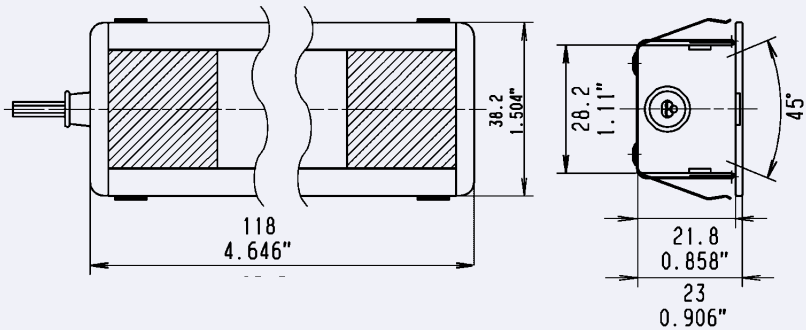


2LA 455 115-20

Technical Data:

- Operating voltage: 28 V DC
- Operating current: 0.075 A
- Nominal life: 10,000 h
- Light intensity: 22 cd min.
- Mass: 0.115 kg (0.254 lbs) max.

- Clip mounting

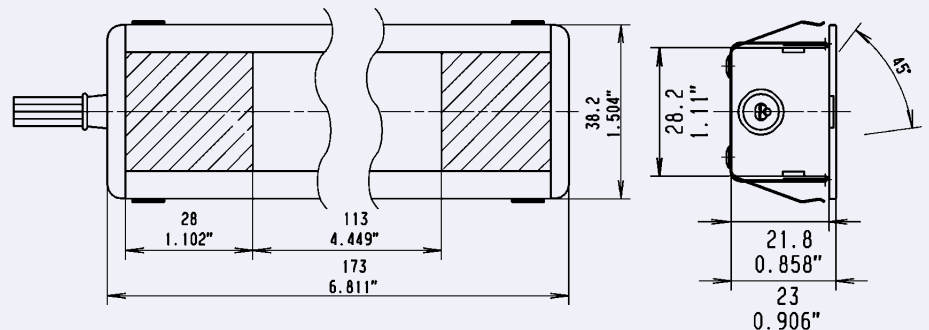


2LA 455 115-30

Technical Data:

- Operating voltage: 28 V DC
- Operating current: 0.120 A
- Nominal life: 10,000 h
- Light intensity: 35 cd min.
- Mass: 0.140 kg (0.309 lbs) max.

- Clip mounting



Note: An external potentiometer 1 k Ω 50 mW may be used for dimming.

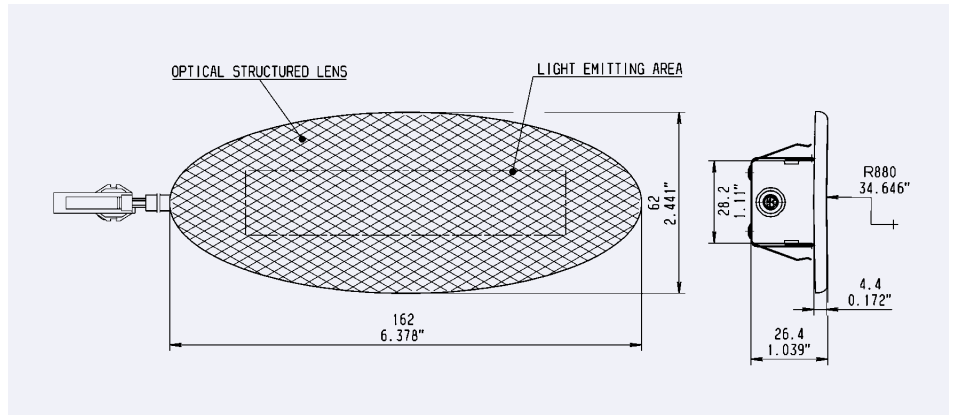


2LA 455 115-26

Technical Data:

- Operating voltage: 6 V DC
- Operating current: 0.570 A
- Nominal life: 10,000 h
- Light intensity: 15 cd min.
- Connector: AMP 1-640 508-0
- Mass: 0.140 kg (0.309 lbs) max.

- **Clip mounting**

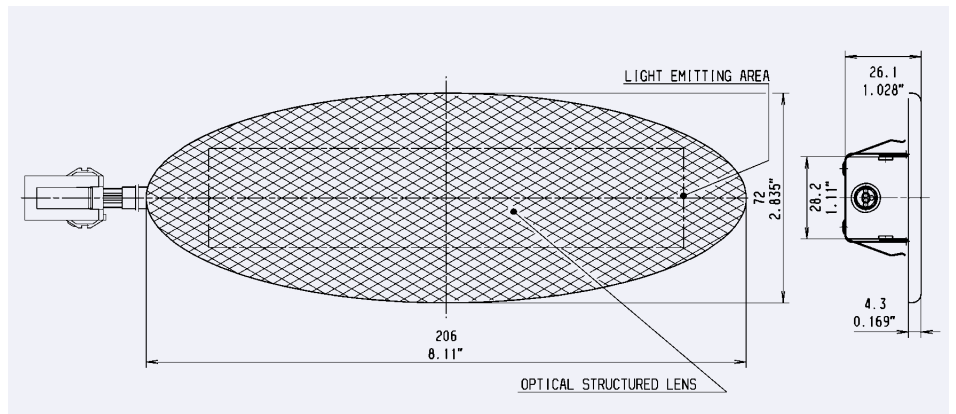


2LA 455 115-32

Technical Data:

- Operating voltage: 28 V DC / 6 V DC
- Operating current: 0.075 A / 0.175 A
- Nominal life: 10,000 h
- Light intensity: 17 cd min. / 6 cd min.
- Connector: AMP 1-640 510-0
- Mass: 0.195 kg (0.430 lbs) max.

- **Clip mounting**

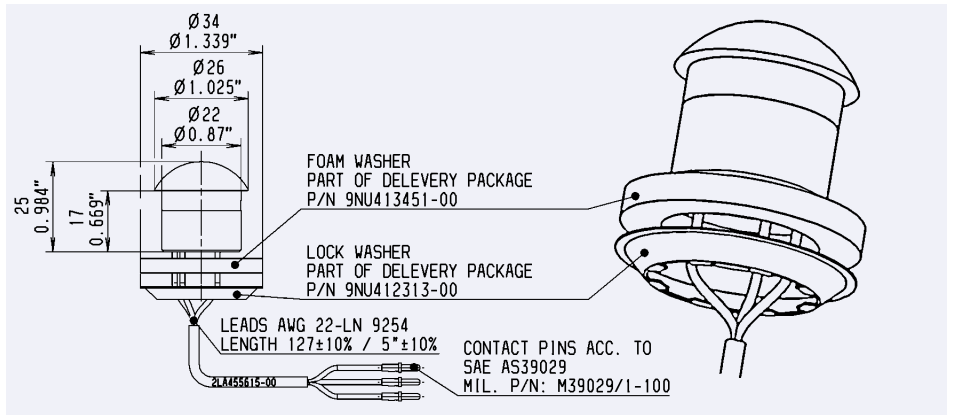




EMERGENCY LIGHT 2LA 455 615-00

Technical Data:

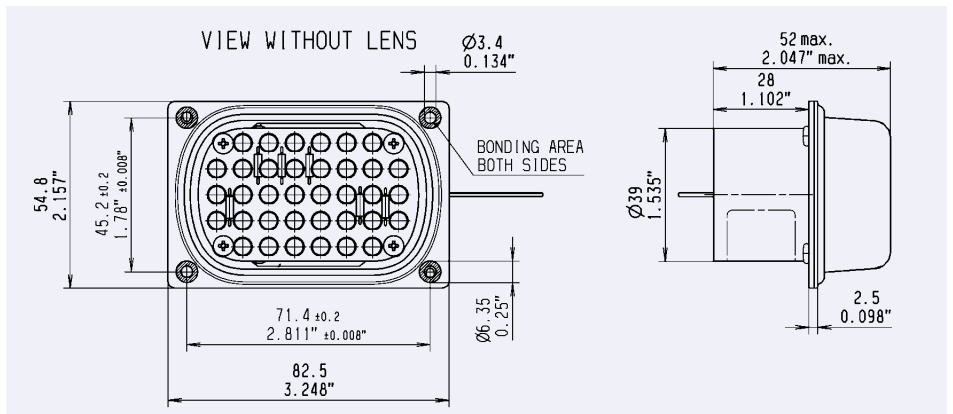
- Operating voltage: 6 V DC
- Operating current: 0.220 A
- Light intensity: 1.5 cd min.
- Mass: 0.05 kg (0.11 lbs) max.



LED UTILITY LIGHT 2LA 455 279-00

Technical Data:

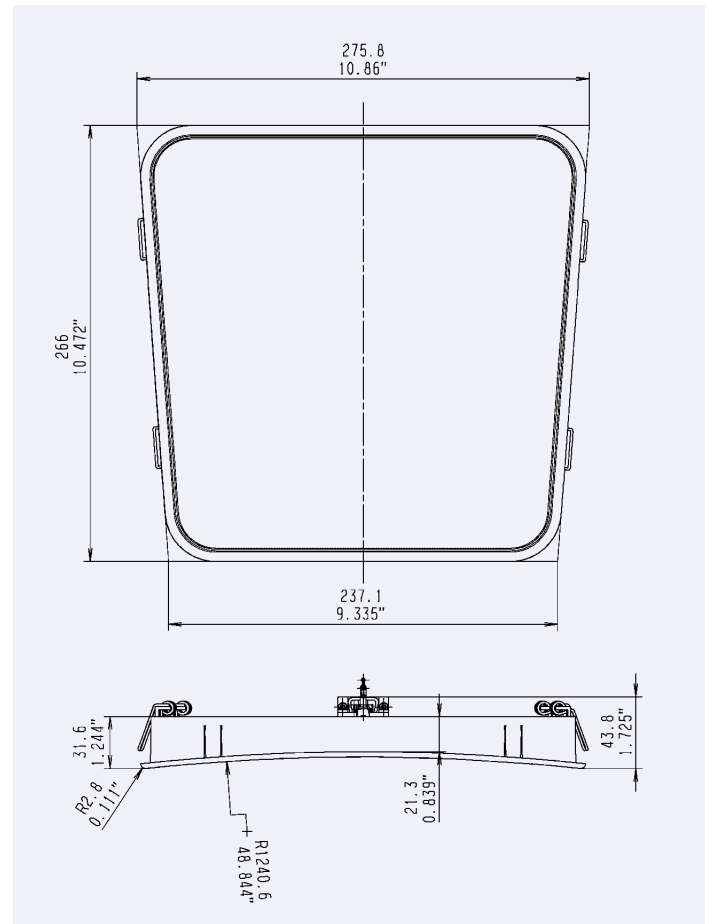
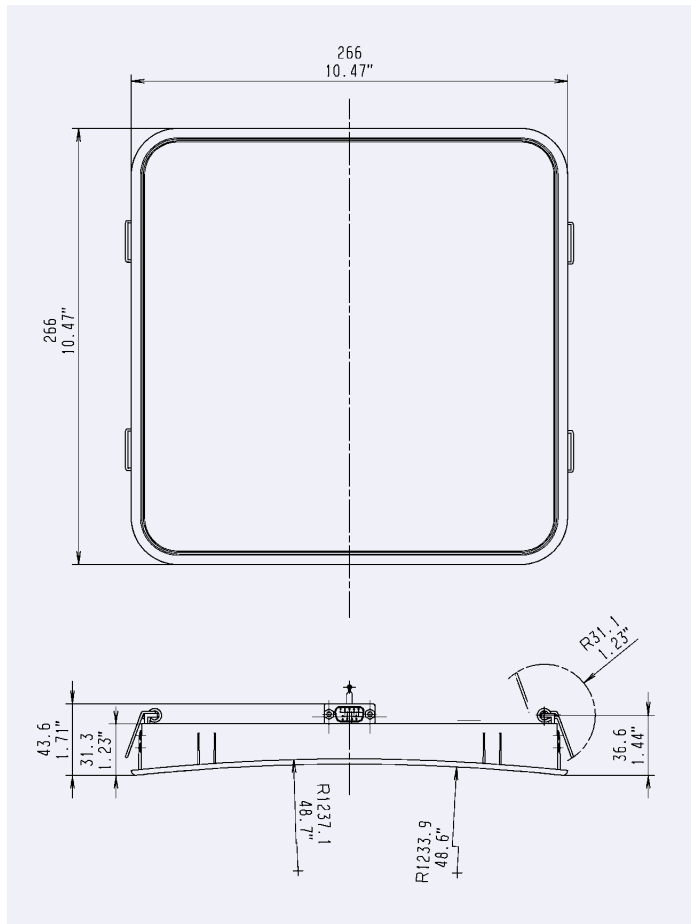
- Operating voltage: 28 V DC
- Operating current: 0.12 A
- Light intensity: 50 cd min.
- Mass: 0.150 kg (0.331 lbs) max.





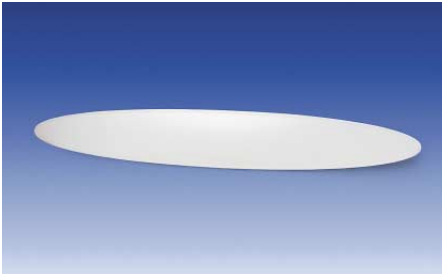
DOME LIGHTS 2LA 455 605-00 /-50

- Switchable and dimmable via CAN-bus
- Standard version without bus control available on request
- Flush mounting with installation spring



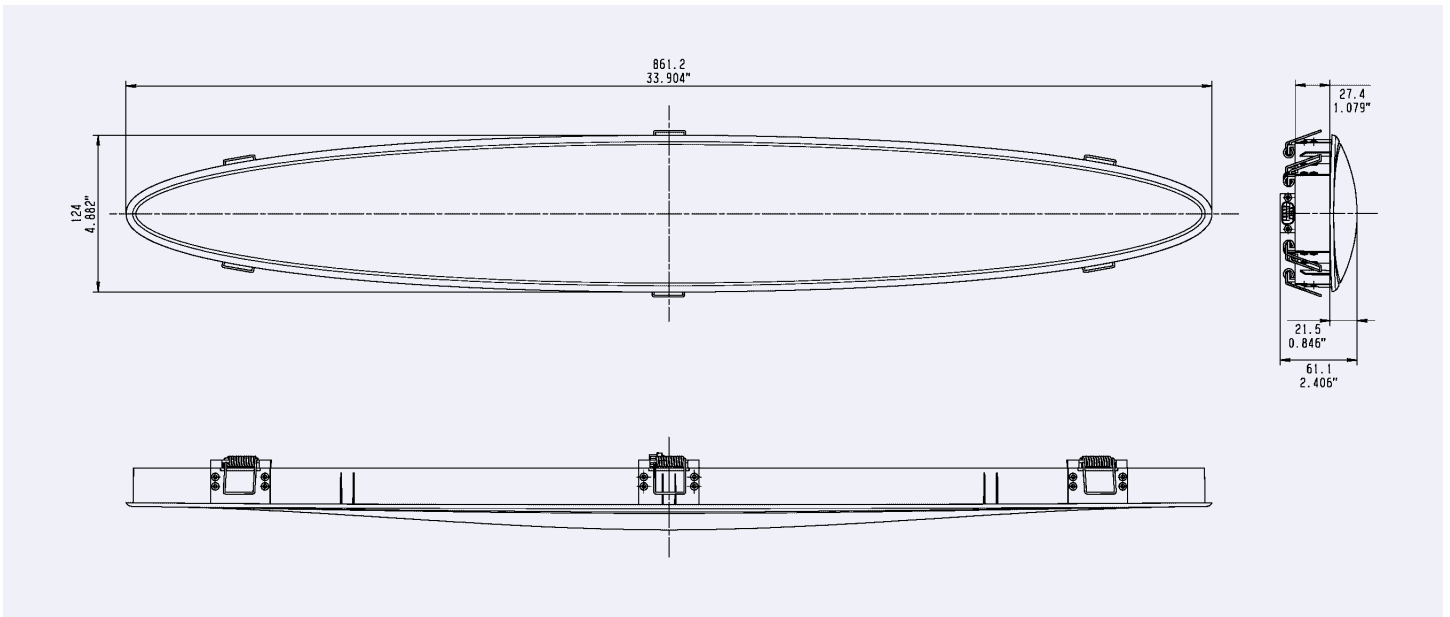
Technical Data:

- Operating voltage: 28 & 6 V DC
- Operating current: 0.65 and 0.24 A max.
- Mass: 1.0 kg (2.2 lbs) max.



DOME LIGHT 2LA 455 606-00

- Switchable and dimmable via CAN-bus
- Standard version without bus control available on request
- Flush mounting with installation spring



Technical Data:

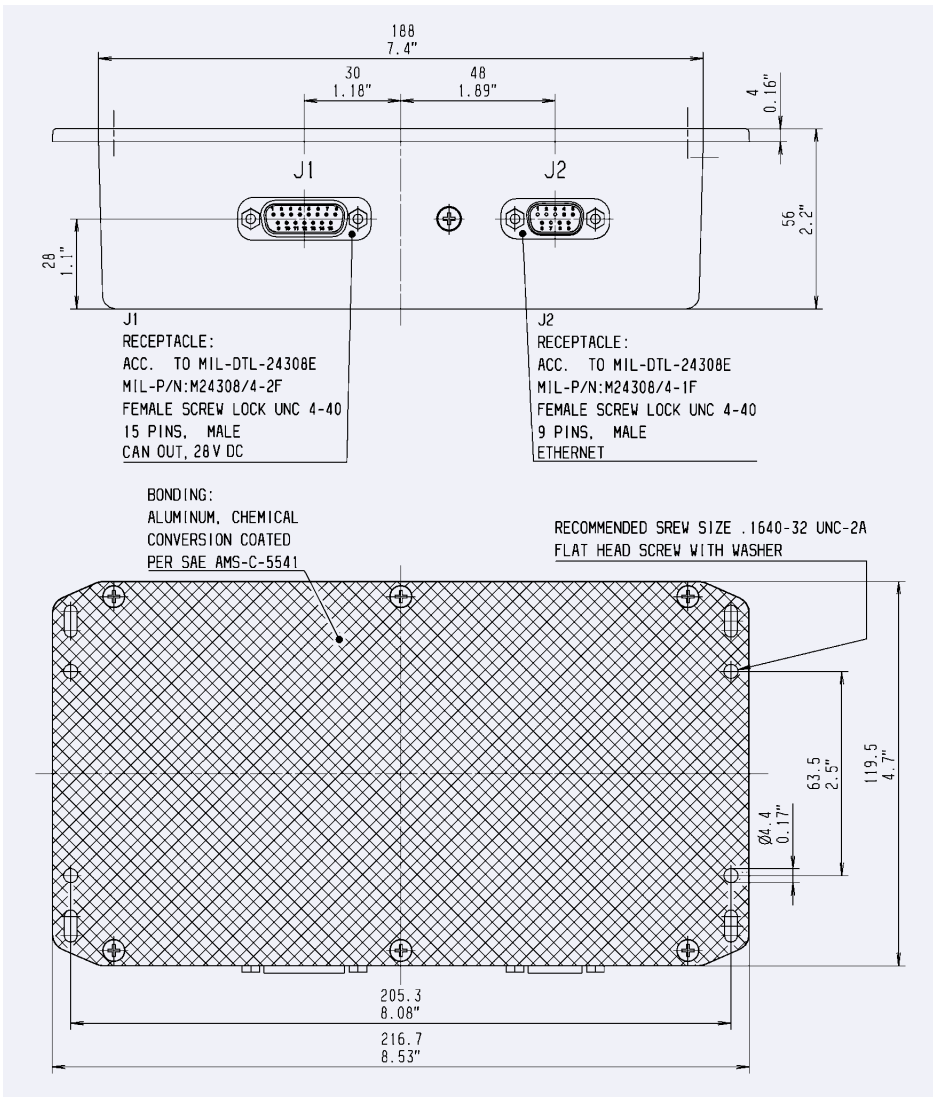
- Operating voltage: 28 V DC
- Operating current: 1.0 A max.
- Mass: 1.0 kg (2.2 lbs) max.



INTERIOR LIGHTING SYSTEM DIRECTOR 8ES 455 611-01

This director controls the Dome Lights for ON/OFF switching and dimming via CAN-bus.

It transforms the signals from the aircrafts ethernet network or from single switches to CAN-bus signals.



Technical Data:

- Operating voltage: 28 V DC
- Operating current: 0.5 A max.
- Mass: 1.4 kg (3.1 lbs) max.



**Goodrich Hella Aerospace
Lighting Systems GmbH**

Bertramstrasse 8
59557 Lippstadt/Germany
Tel.: +49 2941 7676-0
Fax: +49 2941 7676-8432
Sita: PADHECR

**North American Operations:
Goodrich Hella Aerospace
Lighting Systems, Inc.**

129 Fairfield Street
Oldsmar, FL 34677
Tel.: +1 813 891-7100
Fax: +1 813 855-5572

<http://www.hella.goodrich.com>
info@hella.goodrich.com

LED Dome Lights/TA/Dec 2004

The Goodrich name, logotype and symbol are registered trademarks of Goodrich Corporation