

**DO NOT DISCARD. DELIVER TO MANUFACTURING
 NO DESECHE. ENTREGA A LA FABRICACION.
 INSTRUCTIONS DE MONTAGE. NE PAS JETER.
 BITTE NICHT WEG WERFEN. BITTE AN DIE PRODUKTION WEITERLEITEN**

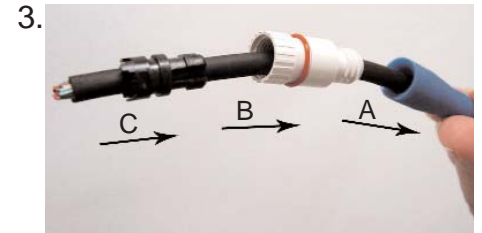
*HyperGrip™ Plug - UNshielded
 Installation Instructions*



Install Red O-ring (optional)

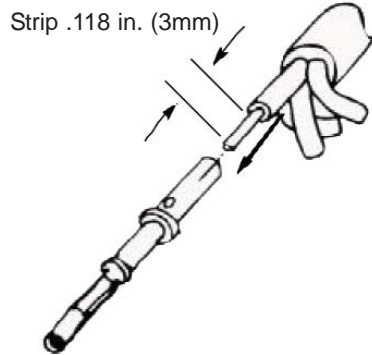


O-ring installed

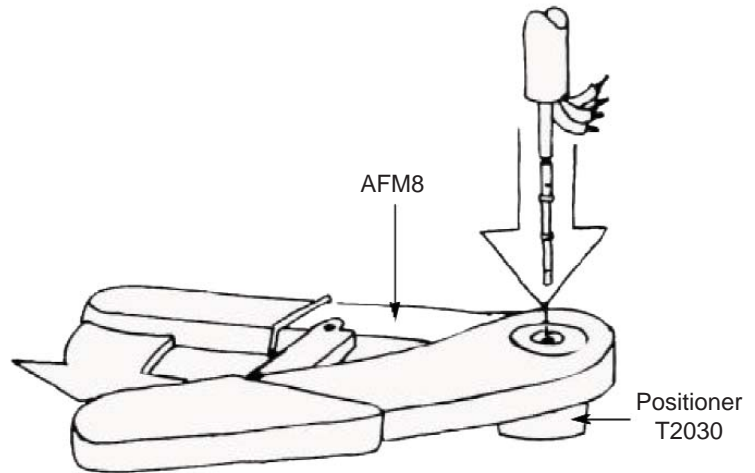


4. PLUG Termination Instructions

CRIMP



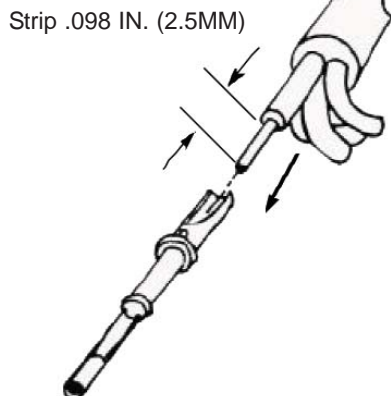
- Strip wire
- Insert into crimp barrell



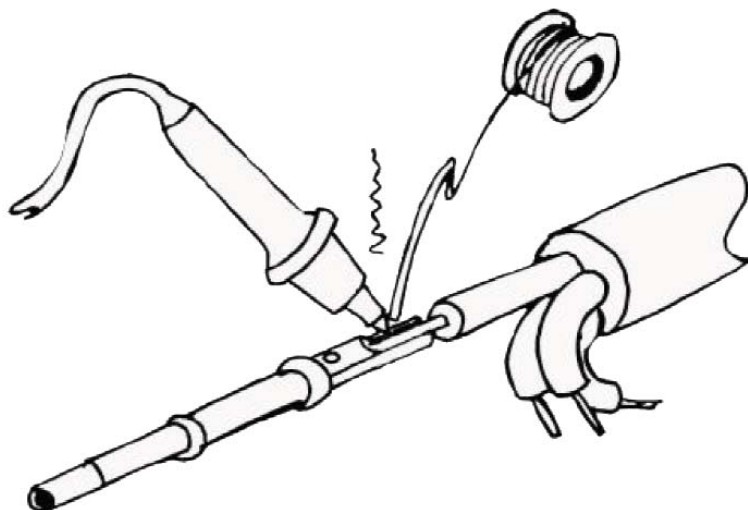
- Insert contact into positioner as shown
- Crimp

OR

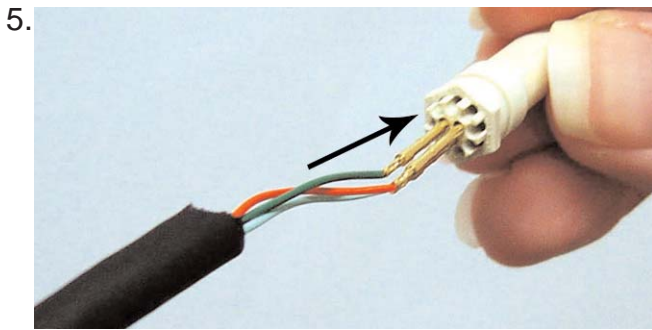
SOLDER



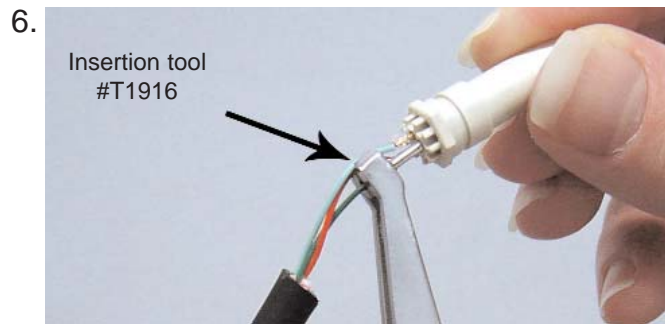
- Strip wire
- Insert into solder cup



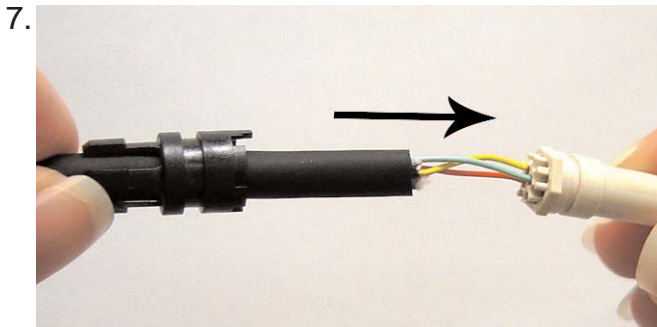
- Solder wire into solder cup



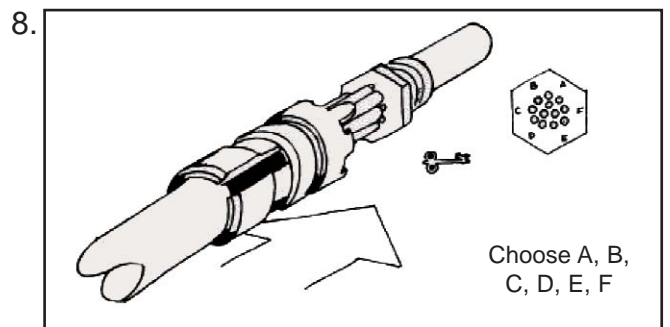
Insert contacts



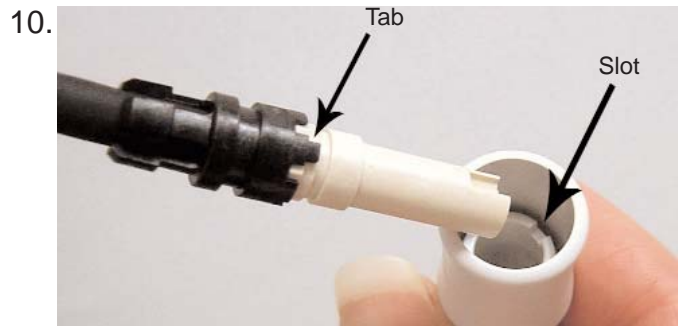
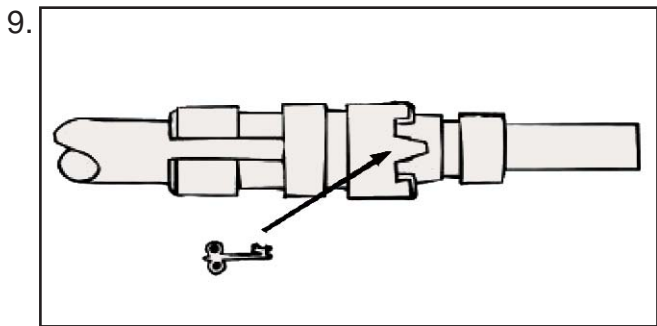
Push in to the stop



Choose keying option



Choose A, B,
C, D, E, F



Align tab and slot



Screw in plug nut



Install strain relief



Strain relief installed



Install Clear O-ring (optional)