



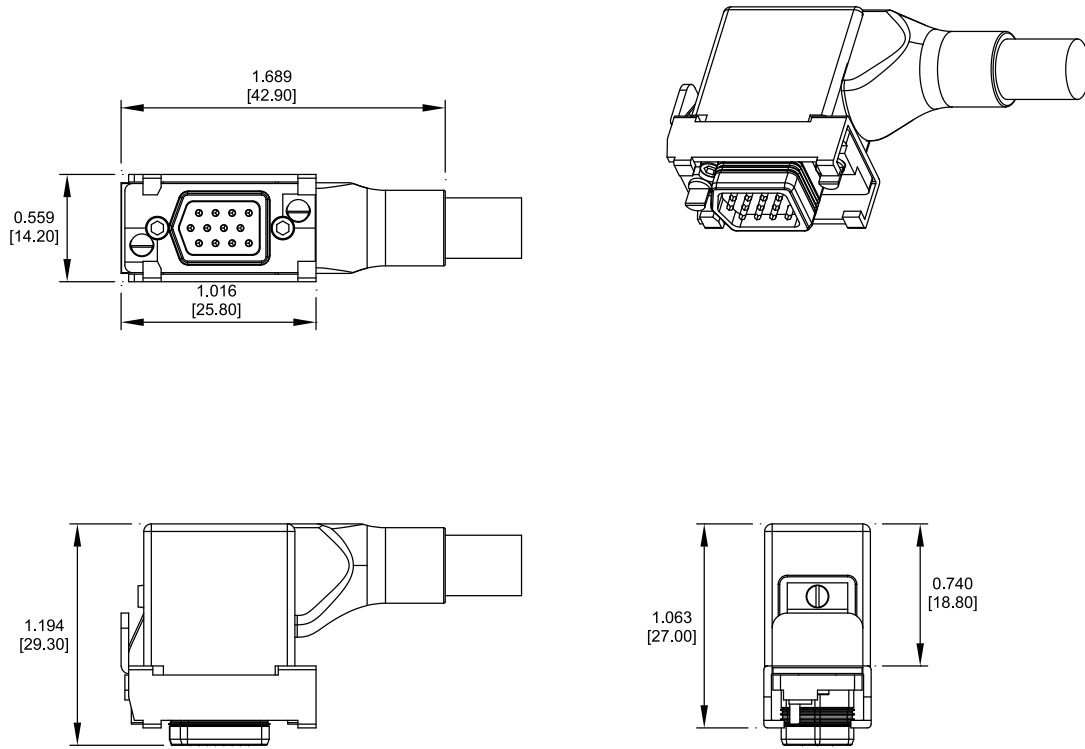
Miniature Rectangular Connectors

- HyperSpring® spring loaded contacts, self-cleaning wiping action
- 12 or 21 contact configurations
- Combine robust environmental performance with compact size and light weight
- Easy and fast push-pull locking mechanism
- Full line EMI shielding
- IP67 sealing when mated and unmated
- D-shape hardware coding to avoid mismatching
- 4 position key coding available on request
- Overmolding solutions
- Upgrade commercial high speed Fast Ethernet, USB, IEEE 1394 interconnect to Mil Spec performances

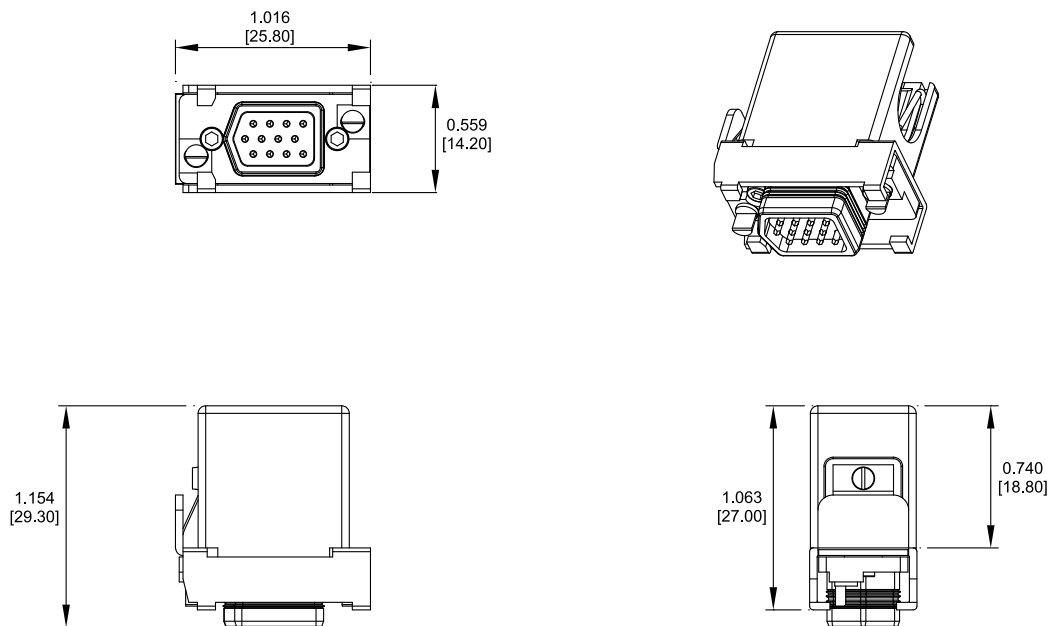
General Specifications	
General	
Number of Contacts	12, 21
Receptacle Terminations	Solder Cup, Dip Solder
Plug Termination	Solder Cup
Cable Diameter Range	0.315 [8.00] max.
AWG Contact	26 - 30
HyperSpring Force	5.5 oz. max. per contact
Connector Mating Force	12 Contacts: 180.0 oz., 21 Contacts: 215.0 oz.
Connector Unmating Force	36.0 oz. (after locking system release)
Electrical and Mechanical Characteristics	
EMI Shielding	Yes
Current Rating	3 Amps at 25° C
Breakdown Voltage	625V
Dielectric Withstanding Voltage (between contacts)	500V
Contact Resistance (low level)	< 15 milliohms
Insulation Resistance	5000 Megohms at 500VDC - EIA364.21
Vibration	EIA364.28 Condition III
Shock	EIA364.27 Condition G
Weight (Plug and Receptacle – with contacts – without cabling)	12 Contacts: 0.8 oz., 21 Contacts: 1.0 oz.
Materials and Plating	
Housing Material Plating	Aluminium alloy Zinc cobalt conductive – RoHS compliant
Plug Overmolding	Thermoplastic hotmelt
Contact Material Plating	Brass, beryllium copper Gold
Environmental Characteristics	
Temperature Range	-65° C to 80° C
Salt Spray	EIA364.26 Condition A (mated connectors)
Humidity	EIA364.31 Method IV
IP Level	67 mated and unmated

Dimensions are in inches [mm]

12 Contact Plug With Overmolding and Cabling

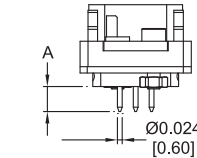
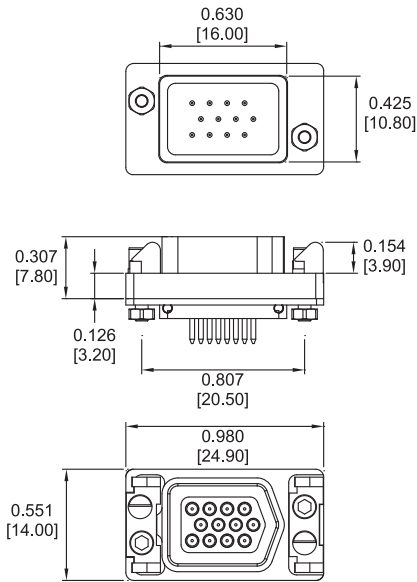


12 Contact Plug - Solder Cup Termination

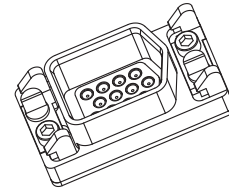


Dimensions are in inches [mm]

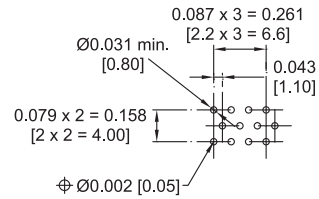
12 Position Receptacle - Dip Solder Termination



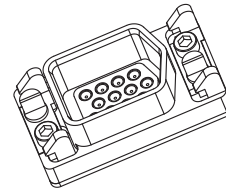
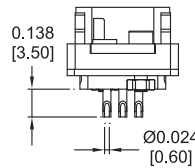
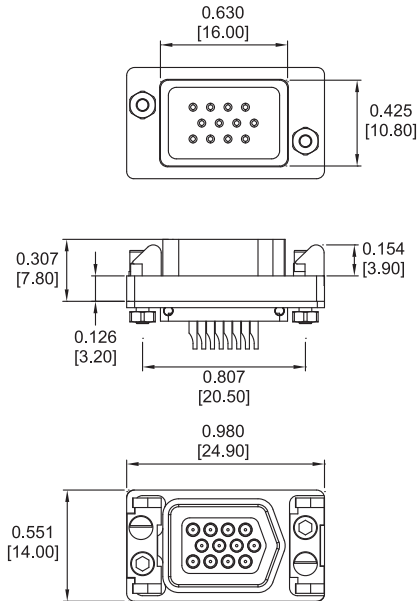
	D	L
A	0.124 [3.15]	0.551 [14.00]



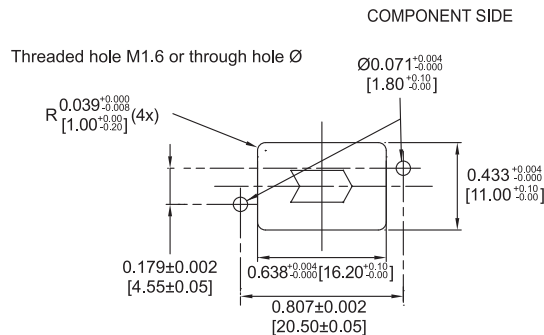
Mounting pattern: COMPONENT SIDE



12 Contact Receptacle - Solder Cup Termination

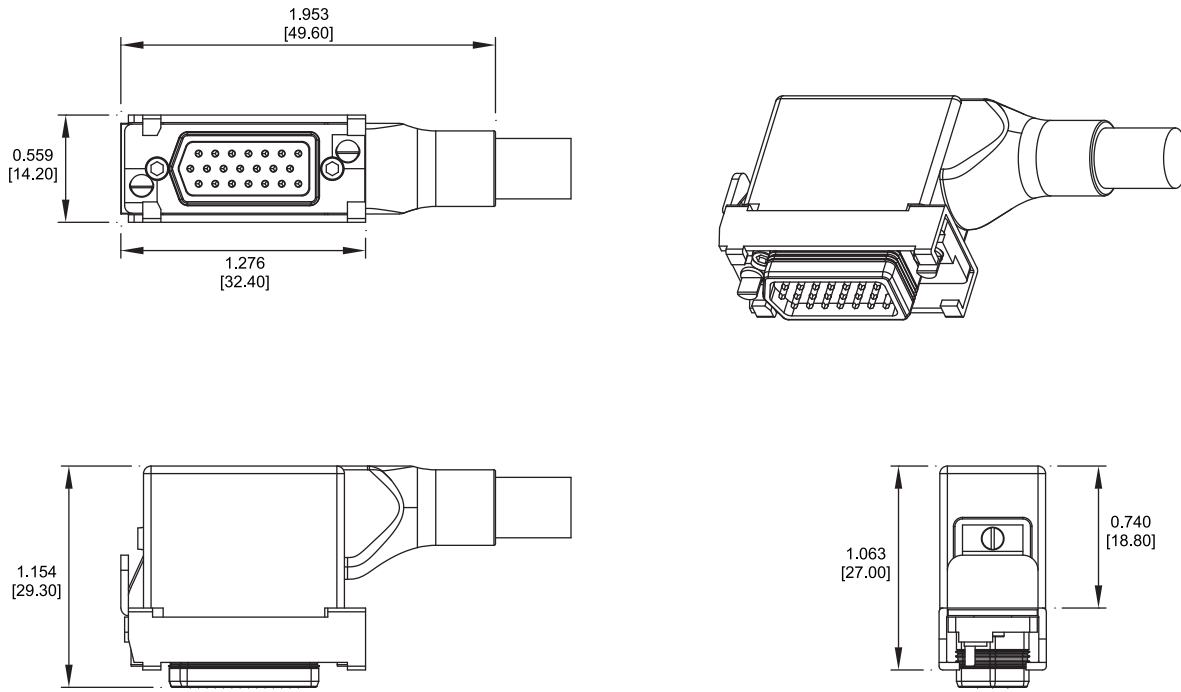


Panel Cut-out

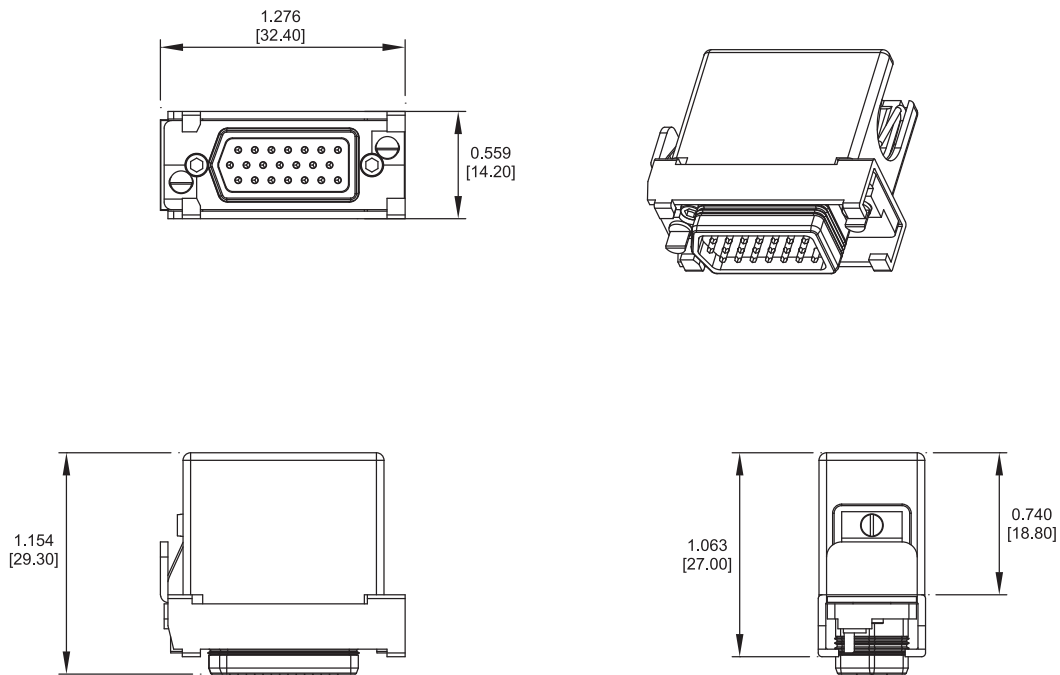


Dimensions are in inches [mm]

21 Contact Plug - With Overmolding and Cabling

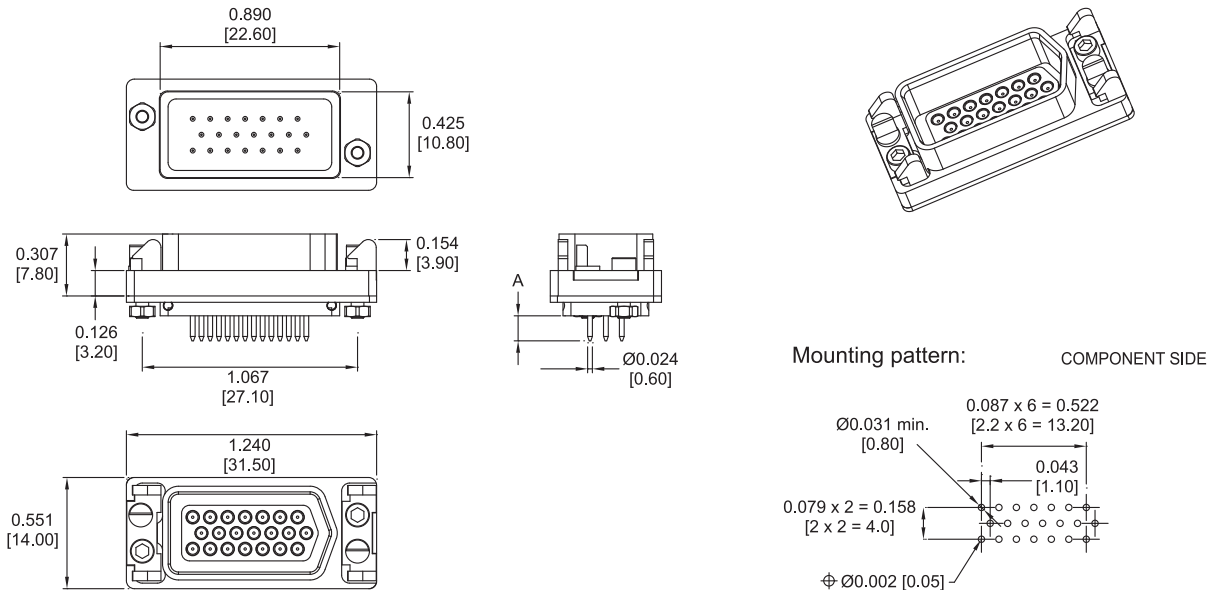


21 Contact Plug - Dip Solder Termination

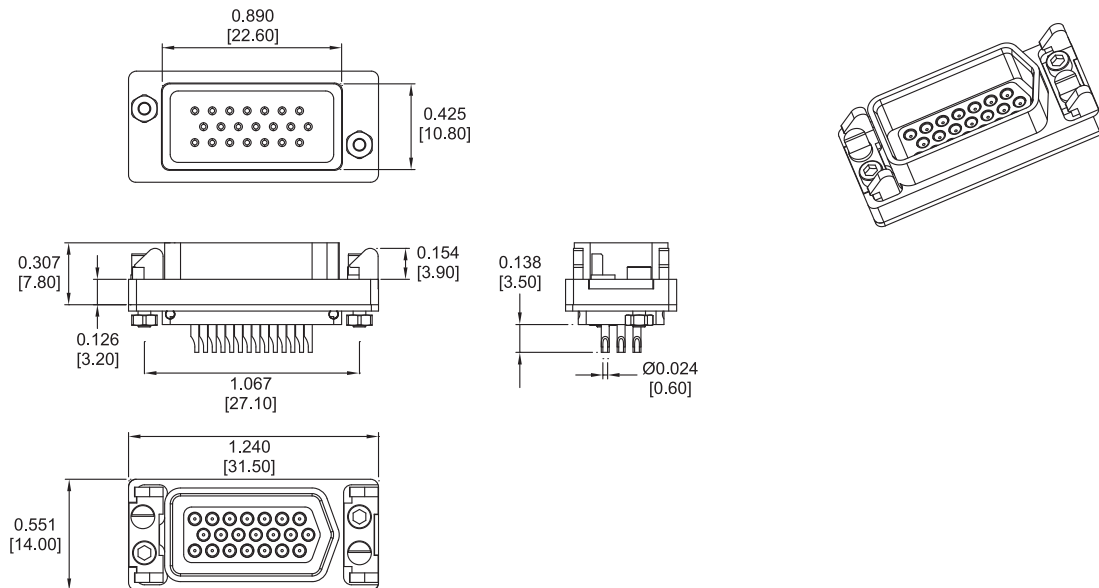


Dimensions are in inches [mm]

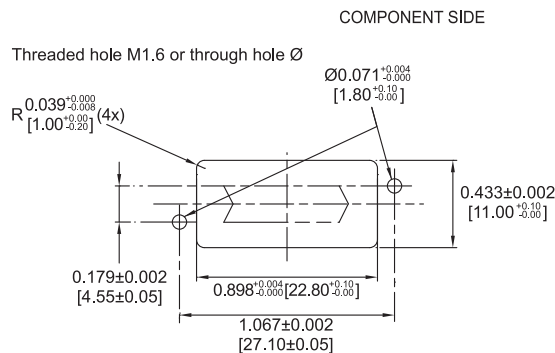
21 Contact Receptacle - Dip Solder Termination



21 Contact Receptacle - Solder Cup Termination



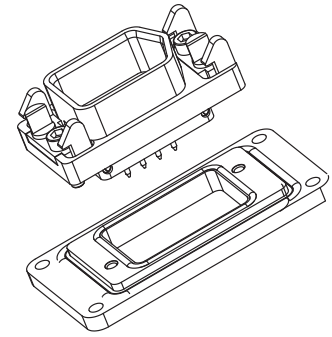
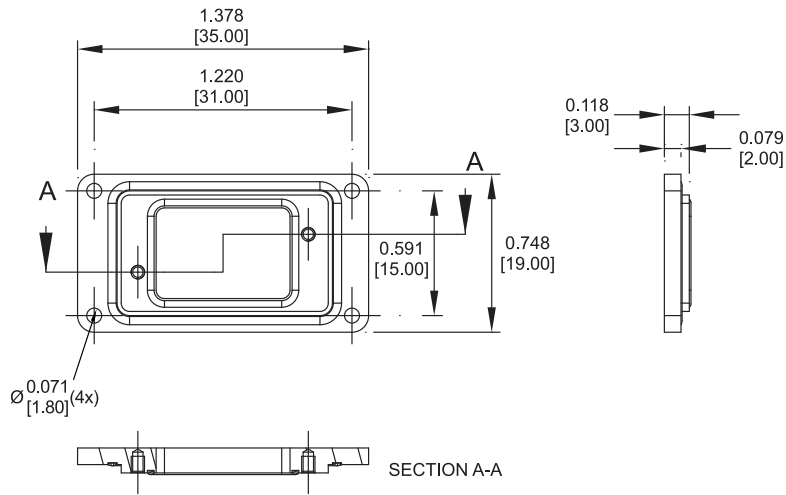
Panel Cut-out



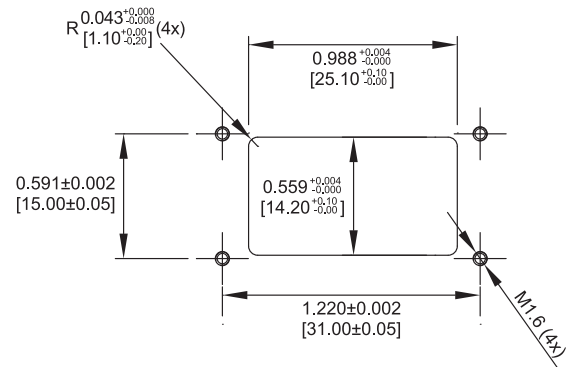
Dimensions are in inches [mm]

12 Contact Flange

Optional for Rear Panel Mounting

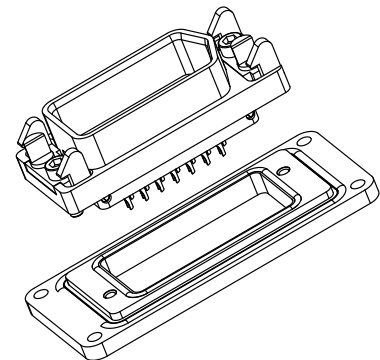
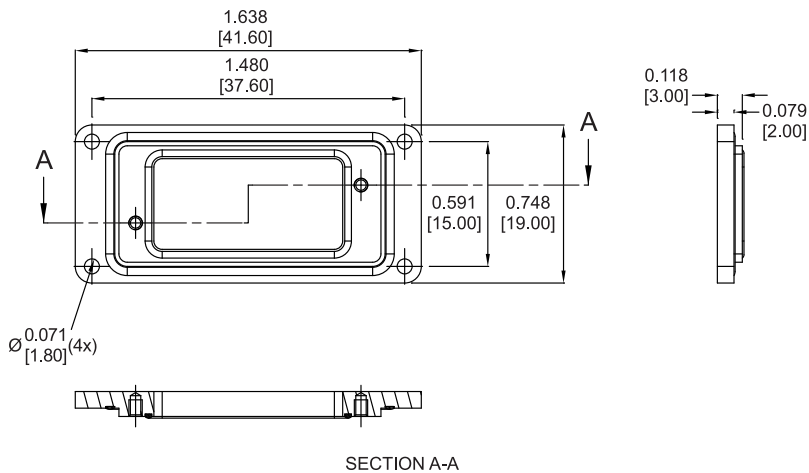


Panel cut-out:

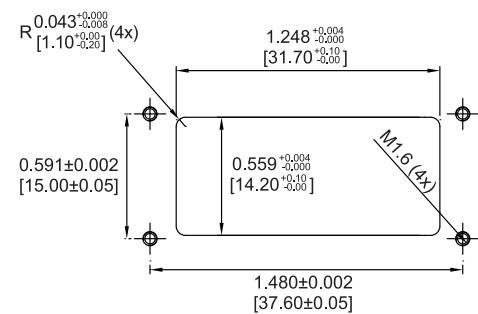


21 Contact Flange

Optional for Rear Panel Mounting

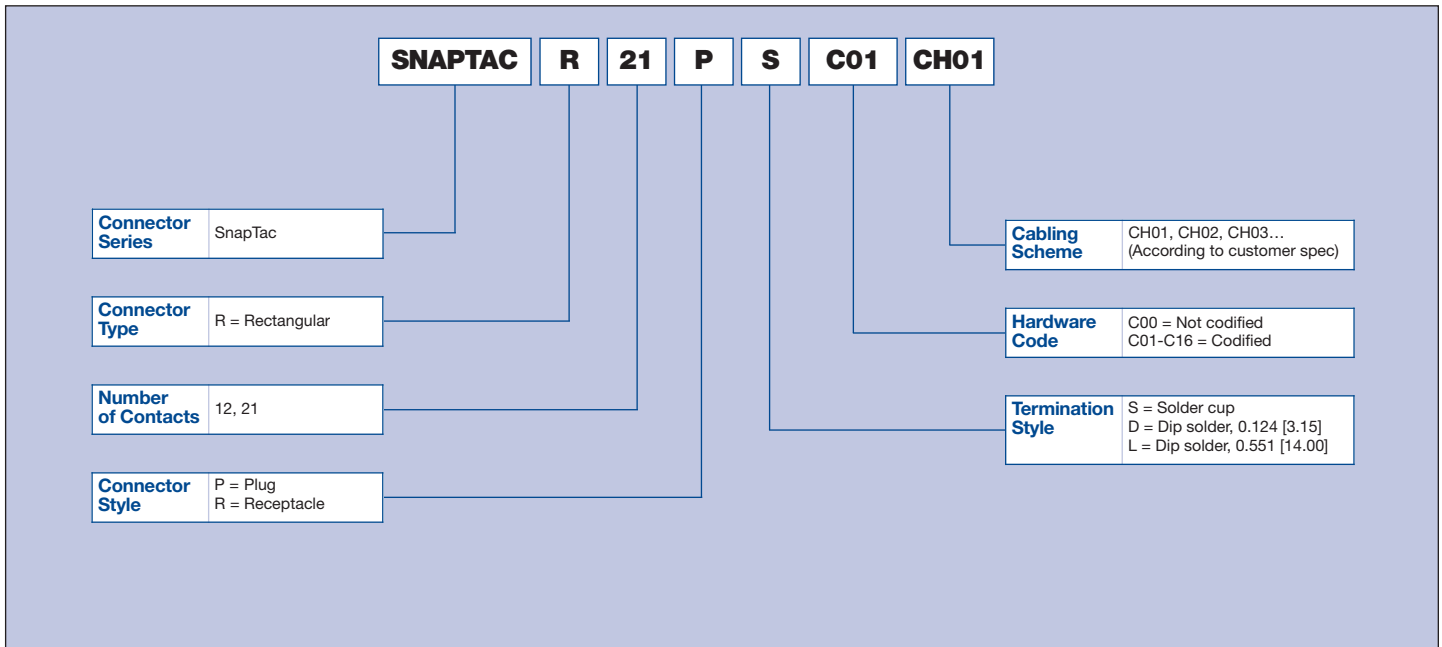


Panel cut-out:



Dimensions are in inches [mm]

Ordering Information



Dimensions are in inches [mm]