



Single Pole Power Connectors

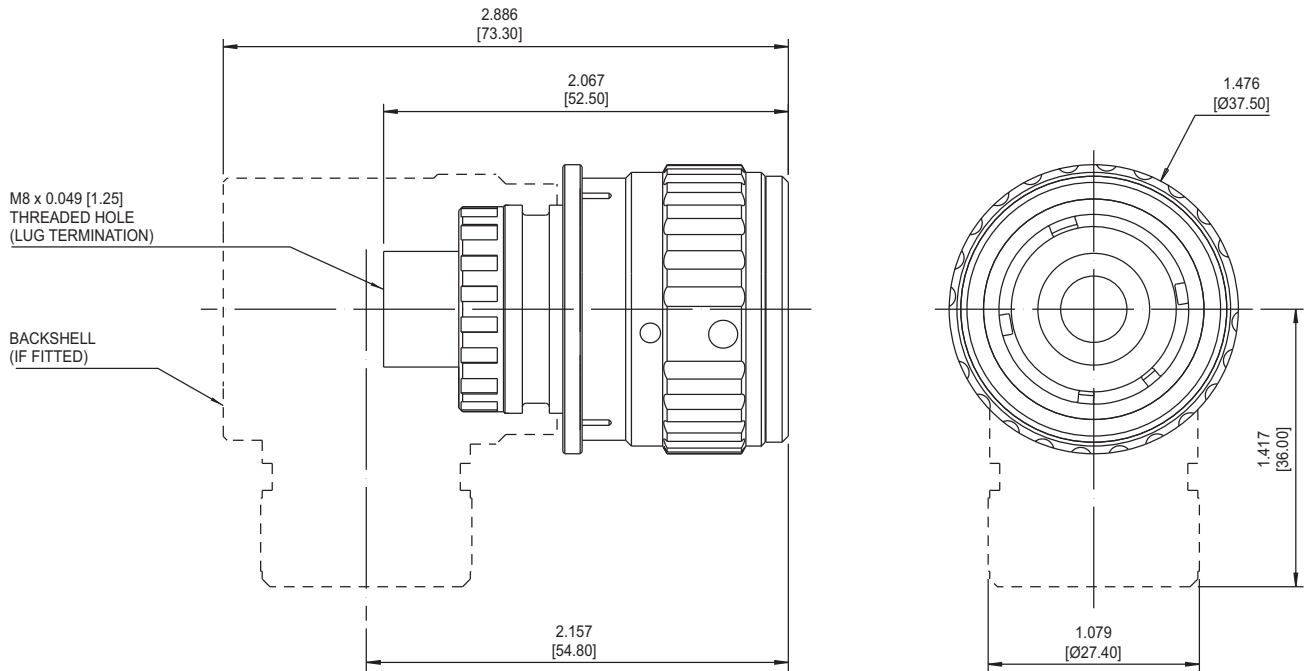
- Size and power options – 300 and 500 Amps
- Quick release metal shell or plastic body depending on customer requirements
- IP67 rated
- 90 degree or straight cable entry
- Low weight and space efficient
- Applications include power distribution, delivery and storage
- Meets the requirements of:
 - “Pit-stop” maintenance programs,
 - The harshest environments,
 - RFI screening – optional

Performance / Specification	
Insulator Material	Glass reinforced thermoplastic
Contact Material	Copper alloy
Metal Shell Material	Aluminum alloy
Fixings	Stainless steel
Contact Plating	Silver or gold
Contact Resistance	300 Amp – 0.1 mΩ max 500 Amp – 0.5 mΩ max
Current Rating	300 Amp and 500 Amp
Mechanical Endurance	5000 min. without EMI band 2000 min. with EMI band
Temperature Range	Fluorosilicone seals: -55° to 150° C Viton seals: -20° to 150° C
Voltage Rating	Plastic connectors: 1000 VDC or AC peak Metal connectors: 750 VDC or AC peak
IP Rating	IP67 (when sealed)

Dimensions are in inches [mm]

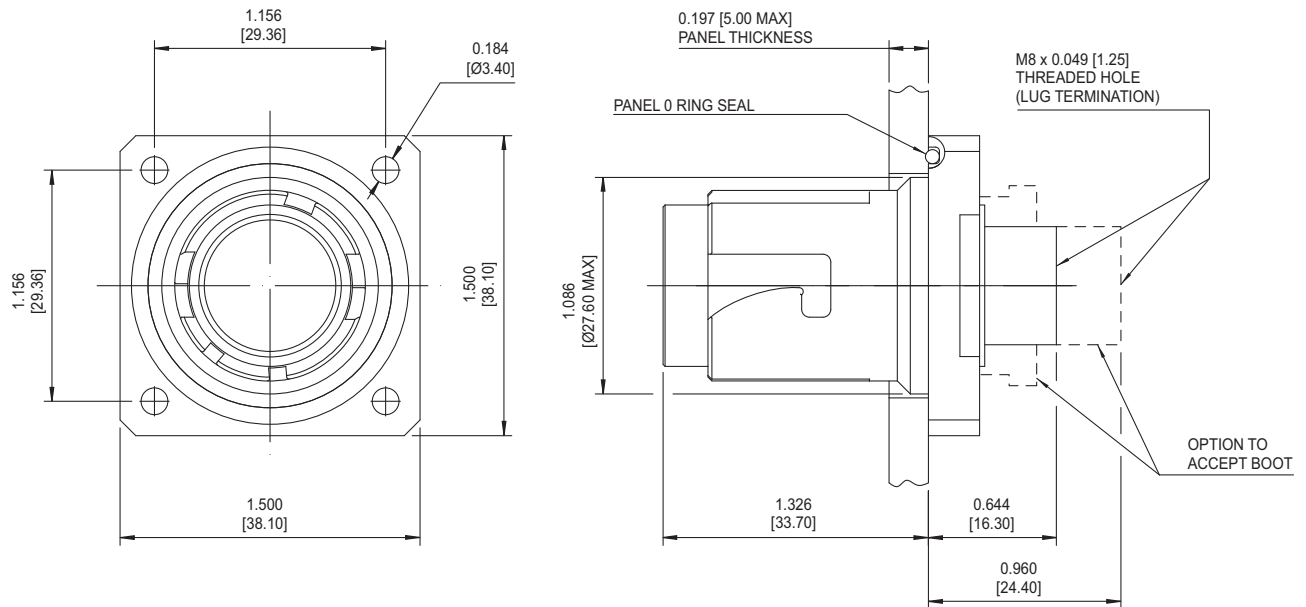
Connector Variants

(300 Amp – Plastic Plug)



Connector Variants

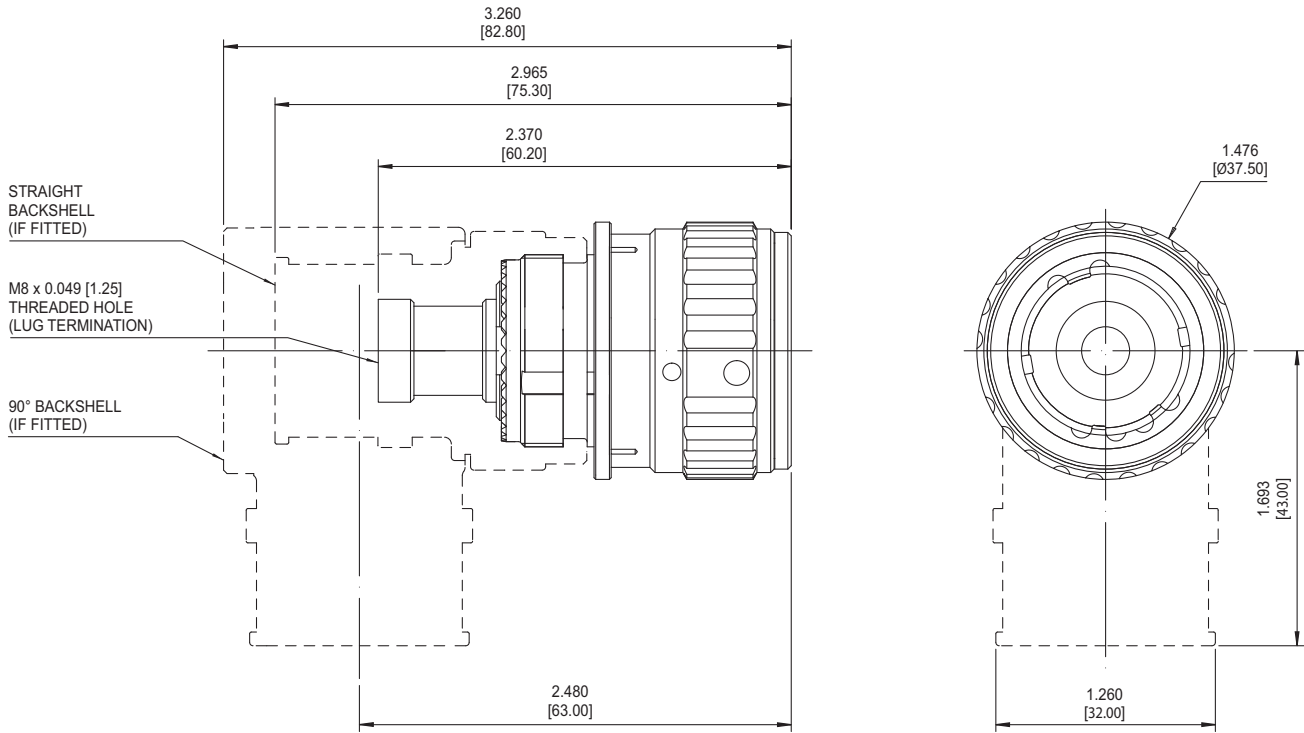
(300 Amp – Plastic Receptacle)



Dimensions are in inches [mm]

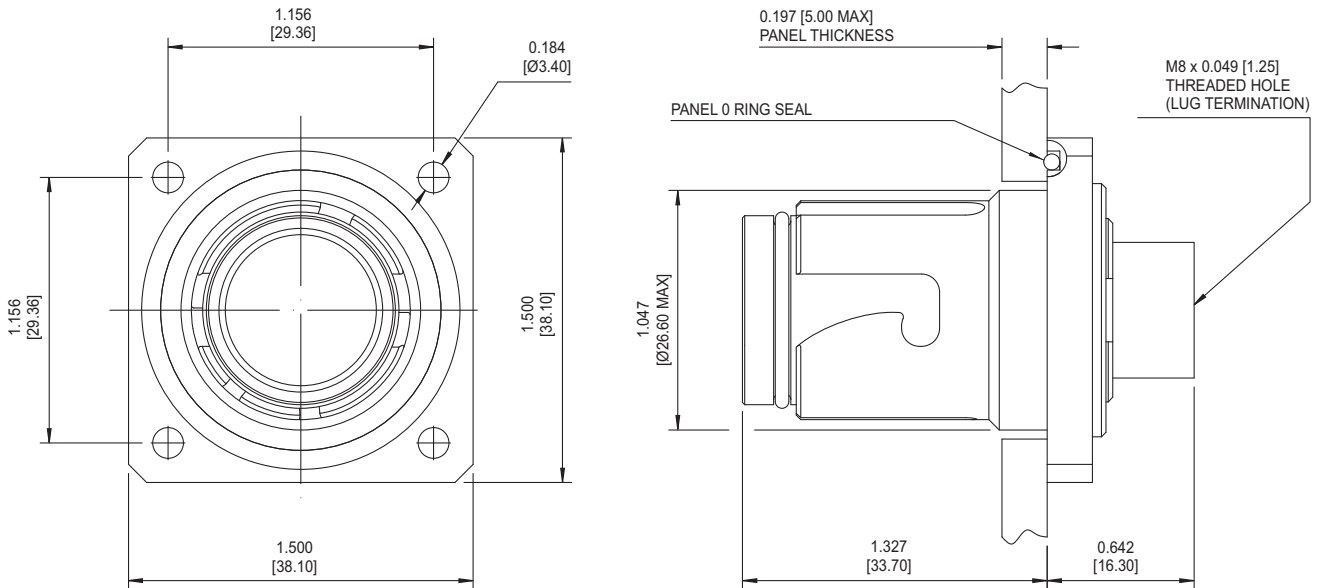
Connector Variants

(300 Amp – Metal Plug)



Connector Variants

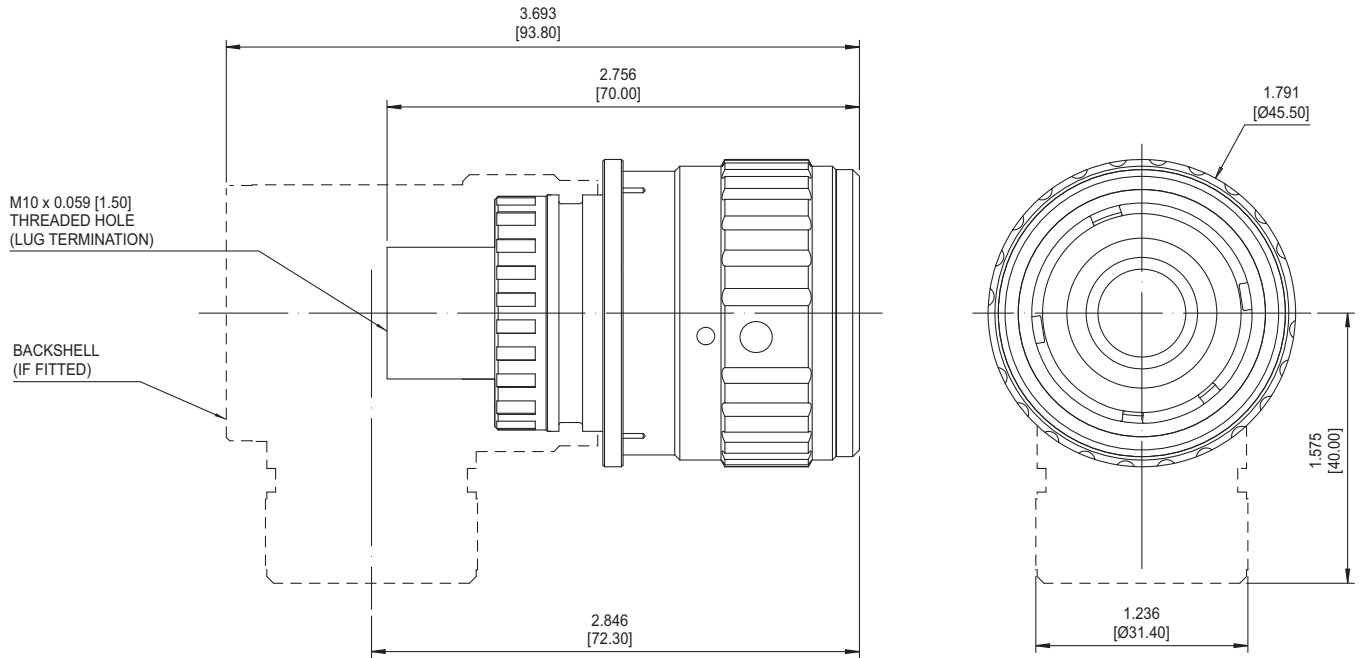
(300 Amp – Metal Receptacle)



Dimensions are in inches [mm]

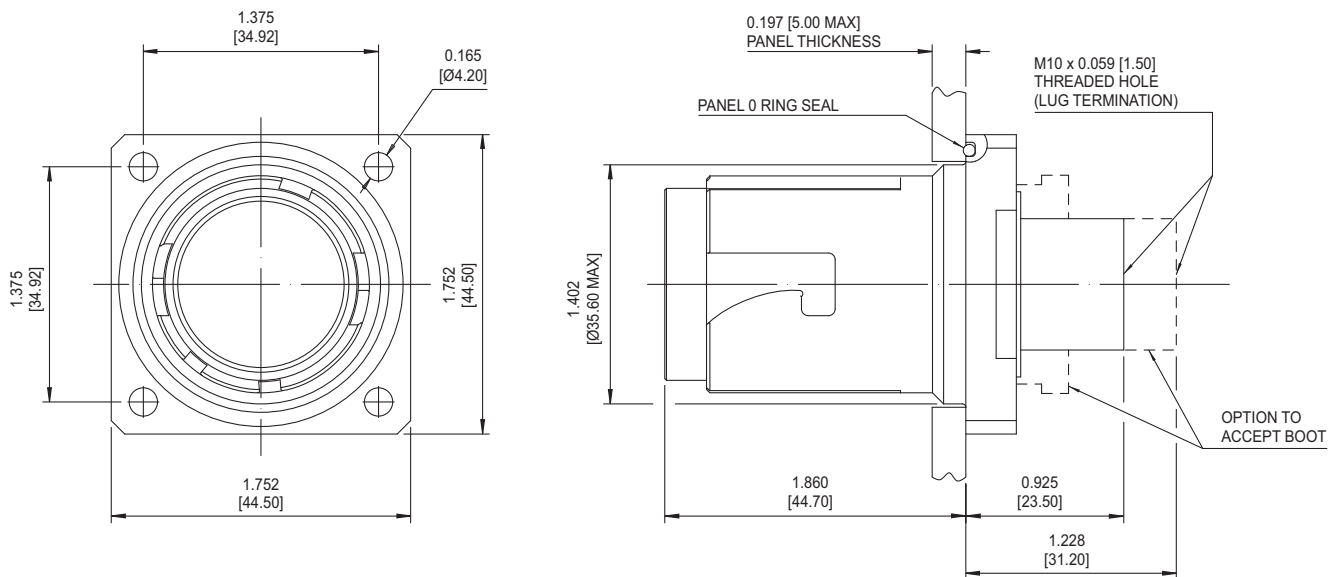
Connector Variants

(500 Amp – Plastic Plug)



Connector Variants

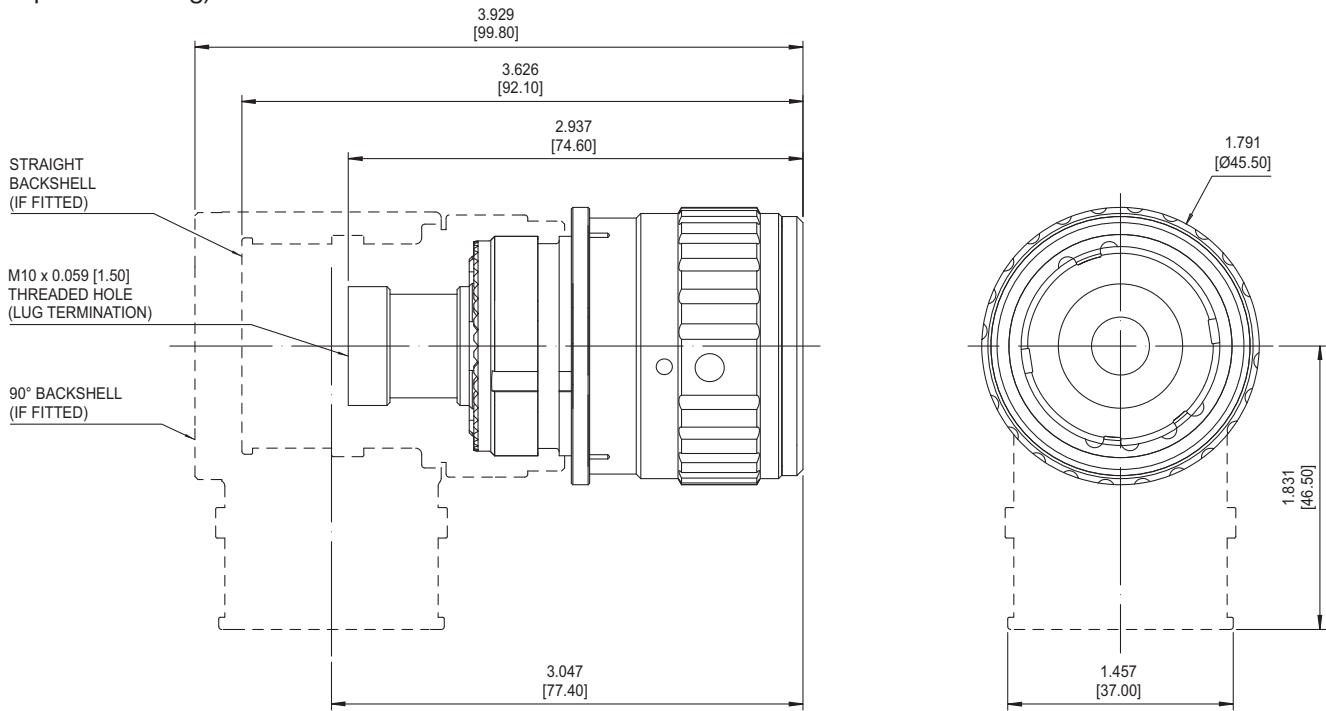
(500 Amp – Plastic Receptacle)



Dimensions are in inches [mm]

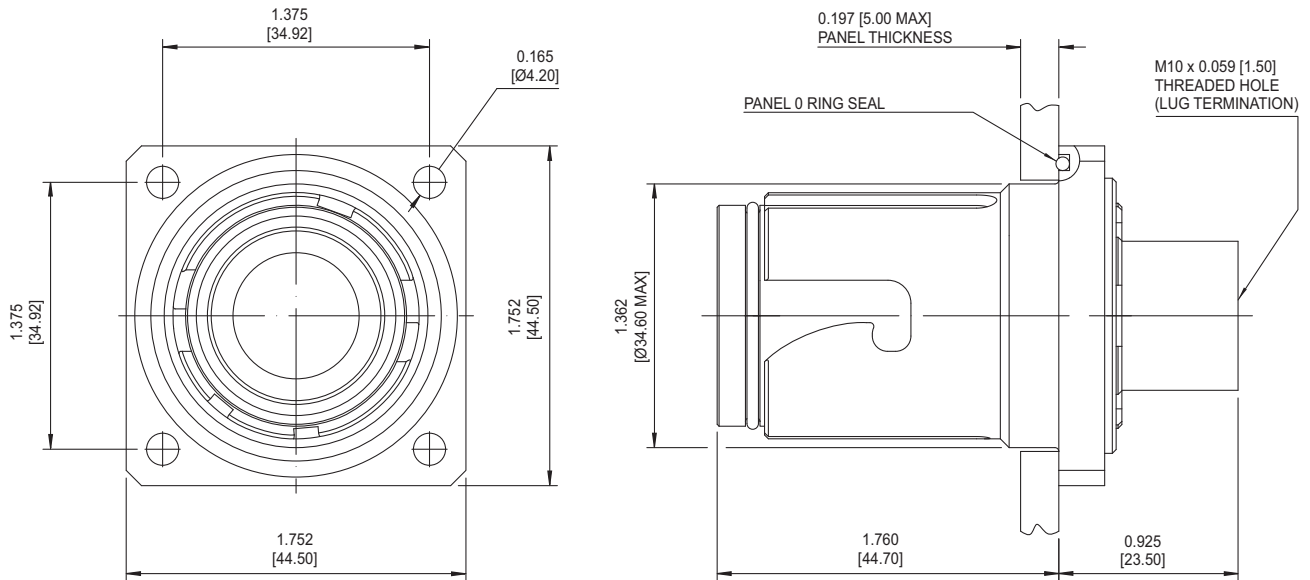
Connector Variants

(500 Amp – Metal Plug)



Connector Variants

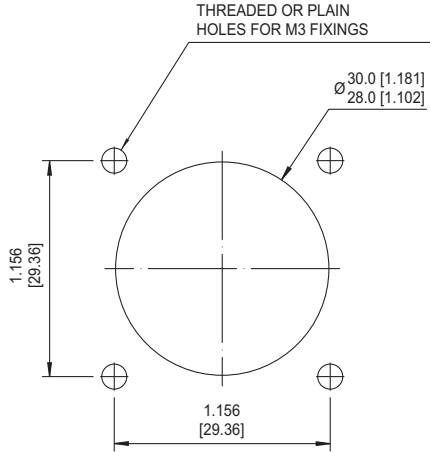
(500 Amp – Metal Receptacle)



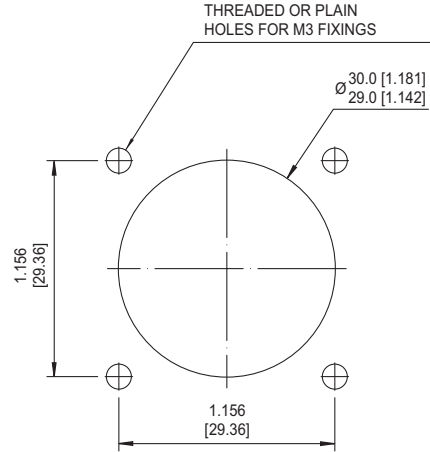
Dimensions are in inches [mm]

Panel Cutout

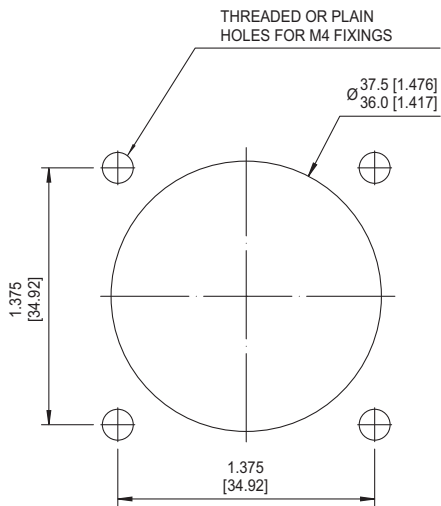
300 Amp Metal



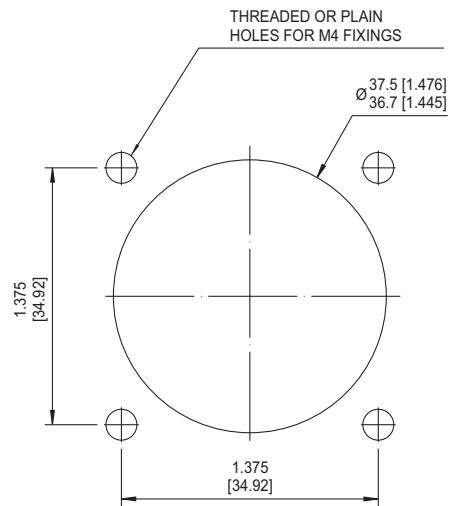
300 Amp Plastic



500 Amp Metal



500 Amp Plastic



NOTES

1. Maximum panel thickness is 0.197 [5.00].
2. If panel is more than 0.118 [3.00] thick fixing holes to be countersunk (CSK) or cheese head screws are to be used.

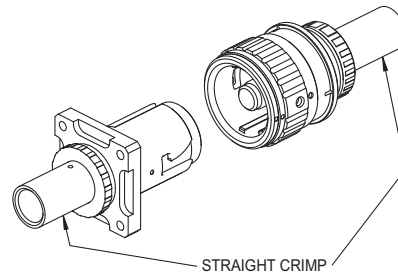
Dimensions are in inches [mm]

General Information

Straight Crimp Terminations

The following straight crimps are available:

- 300 Amp connector: 35 and 50mm²
- 500 Amp connector: 70, 95 and 120mm²



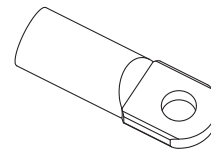
Backshell Cable Sizes

These are the maximum size cables that can be accommodated in backshells:

- 300 Amp connector: 70mm² (Ø 12mm conductor)
- 500 Amp connector: 120mm² (Ø 15mm conductor)

Crimp Lugs

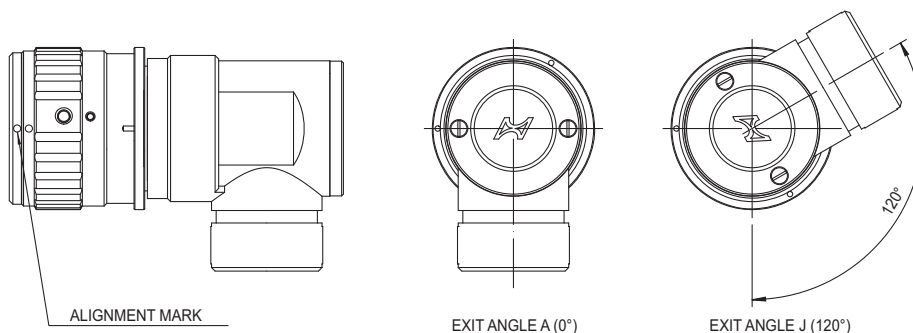
Hole Diameter	Crimp Size	Part Number
8	35	HBB-936
8	50	HBB-905
8	70	HBB-910
10	95	HBB-937
10	120	HBB-921



Hypertronics crimp lugs must be used with 90° backshell connectors.

90° Backshell Exit Angles

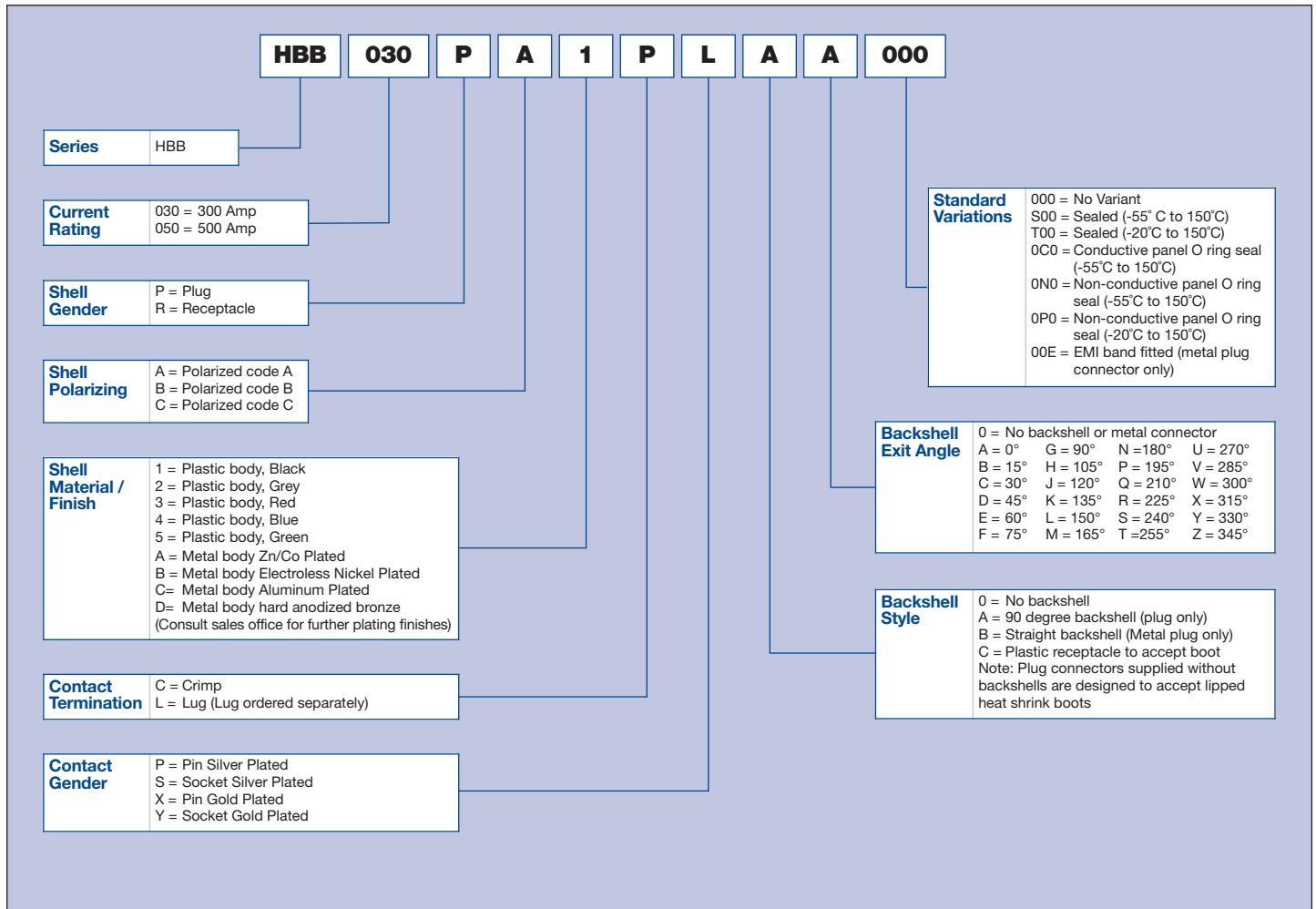
Plastic connectors are supplied with backshells fitted at a specific angle (15° increments) and are not removable. See figure below.



Metal connectors are supplied with backshells unfitted

Dimensions are in inches [mm]

Part Number Configurator



Dimensions are in inches [mm]